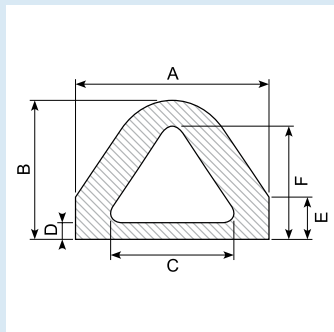
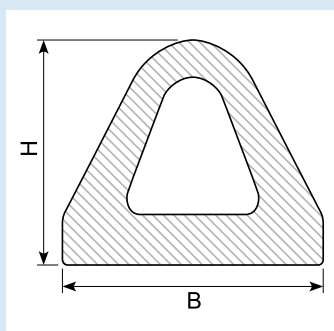


Fendere / Fenders



Material: Black EPDM
 Hardness: SH 70
 Fenders for harbours, loading ramps w. m.

Art.	A	B	C	D	E	F	Kg/m
39.3872	40	25	28	5	10	20	0,57
39.3873 *	55	40	38	8	15	32	1,39
39.3875 *	60	50	40	10	20	42	1,75
39.4087 *	60	52	30	11	11	43	2
39.3876	80	65	50	12	25	39	3,2
39.3887 *	80	70	40	15	0	68	3,5
39.4333 *	80	70	54	15	16	59	4
39.2486 *	82	67	42	15	15	57	3,5
39.4156 *	109	117	50	42	50	95	10,5
39.3846 *	110	95	50	22	18	76	6,1
39.3874 *	110	95	70	15	30	80	5,79
39.4399 *	110	130	70	20	45	110	7,8
39.3010 *	120	110	70	14	35	95	7,39
39.3868 *	150	130	100	20	40	110	10,82
39.4178 *	150	160	105	50	60	130	16,3
39.3722 *	160	138	92	33	0	105	15,83
39.3240 *	170	130	110	15	45	110	10,5



Material: Black EPDM
 Hardness: SH 70
 Fenders for vans harbours, loading ramps etc.

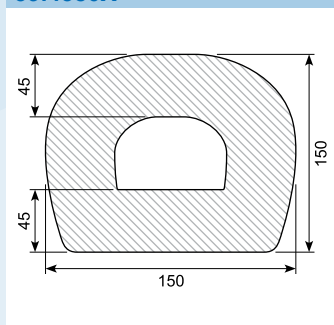
Art.	B	H	L	Kg/m
39.674	40	22	20 m	0,715
39.678	60	50	10 m	2,1
39.678X *	50	60	20 m	2,1
39.680X	84	70	20 m	3,7
39.684X	110	95	10 m	7,076
39.684XS *				
39.685 *	120	120	3 m	11,204

Soft. SH 45. Min. order: 40 m

Material: White

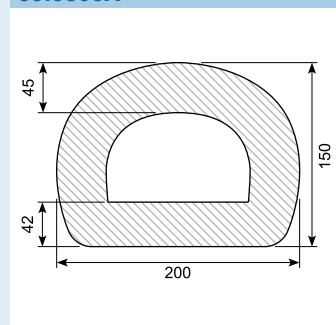
Art.	B	H	L	Min. order
39.680H *				100 m
39.680H-1180	84	70	1.180 mm	

39.4380X



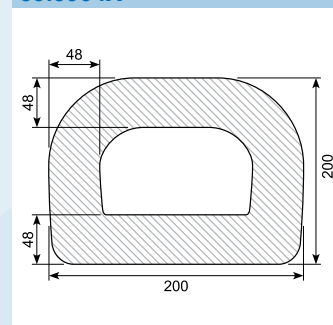
Material: NR / SBR
 Length: 2 m

39.3803X



Material: NR / SBR
 Length: 2 m

39.3904X



Material: NR / SBR
 Length: 2 m